

Kristallo[®]



*Touch
Sensitive
Technology
by*

VIDEX[®]



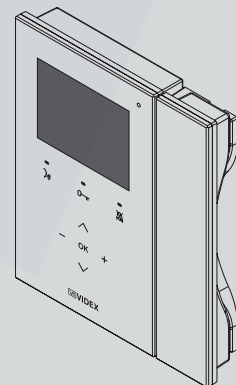
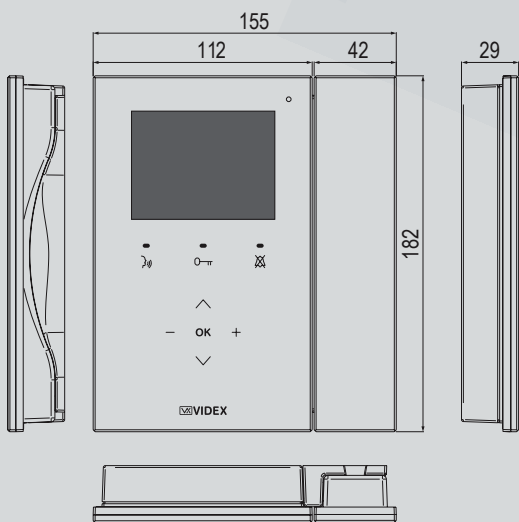
Kristallo®



KRV76/B



KRV76/W





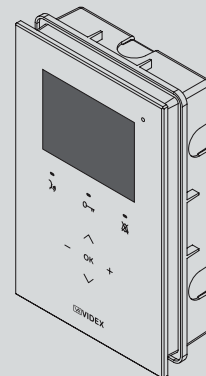
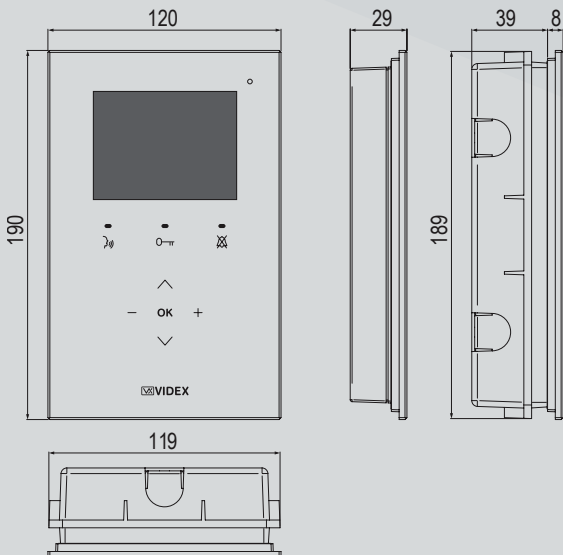
KRV78/B

**Future features
coming soon:**

- Call recording facility with back up to Micro SD card. Store up to 128 still pictures or 66 15 second videos clips both with time and date of call.
- Serial interface for integration into home automation systems.



KRV78/W



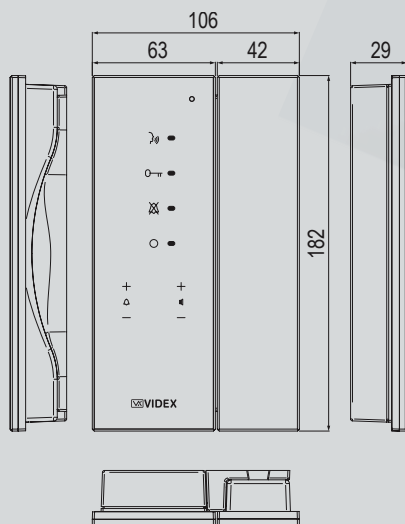
H A N D S F R E E I N T E R C O



KRA76/B



KRA76/W



MS & VIDEOMONITORS



All models are available in white and black finishes.



KRA78/B



KRA78/W

KEY



3.5" TFT Colour Screen



OSD (On Screen Display) for user information and programming menus



Flush option with hands free speech and surface option with both hands free speech and handset available



Programmable timed privacy facility



Service Button (second gate, stair light etc.)



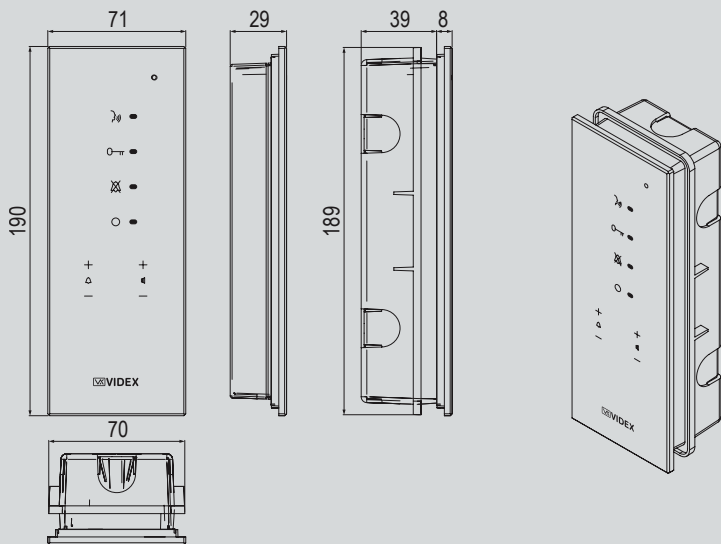
Controls utilise touch sensitive technology providing an elegant yet function feel.



Integral temperature sensor.



Integral real time clock



VIDEO

VIDEOMONITORS FOR VX2200 DIGITAL SYSTEM

KRV78/B



KRV76/B



KRV78/W



KRV76/W



KRV78

Flush mount hands free videomonitor using 3.5" full colour active matrix LCD display with OSD (On Screen Display) for video door entry systems using composite (coax cable) or balanced (twisted pair) video signal. All buttons use capacitive touch sensor technology, 3 of these buttons have multiple direct functions such as "door-open/concierge-call", "answer/camera recall/simplex conversation" and "privacy/call reject/service/programming and adjustment menu access". 3 LEDs give visual indication of operations while the other 5 buttons allow navigation of the programming menu's. Programmable options: loudspeaker volume, call tone volume, picture contrast, brightness and hue, privacy duration, call tone melody, number of rings, address and video mode. Also includes a local bell function. Available in black (add to the product code "/B") or white (add to the product code "/W") finishes.

KRV76

As Art.KRV78 but surface mount version with telephone handset.

AUDIO

INTERCOMS FOR VX2200 DIGITAL SYSTEM

KRA78/B



KRA76/B



KRA78/W



KRA76/W




KRA78

Flush mount hands free audio intercom. All buttons use capacitive touch sensor technology, 4 of these buttons have multiple direct functions such as "answer/end conversation/recall/simplex conversation", "door open", "privacy/call reject/programming menu access" (programmable duration) and "service" button. 3 LEDs give visual indication of operations while the other 5 buttons allow navigation of the programming menu's and the setting of volumes. It is possible to program the melody (9 available), the number of rings (max 9) and the privacy service duration (max 20 hours). Also includes a local bell function. Available in black (add to the product code "/B") or white (add to the product code "/W") finishes.

KRA76

As Art.KRA78 but surface mount version with telephone handset.

 **VIDEX**[®]

 VIDEX ELECTRONICS S.p.a.
Via del Lavoro, 1 - 63846 Monte Giberto (FM) - ITALY
Phone: +39 0734 631669 - Fax +39 0734 632475
www.videx.it - info@videx.it



VIDEX SECURITY LTD - www.videx-security.com - info@videx-security.com



VIDEX DANMARK - www.videx.dk



VIDEX HELLAS ELECTRONICS - www.videx.gr - videx@videx.gr



VIDEX BENELUX - www.videxbenelux.be - info@videxbenelux.be