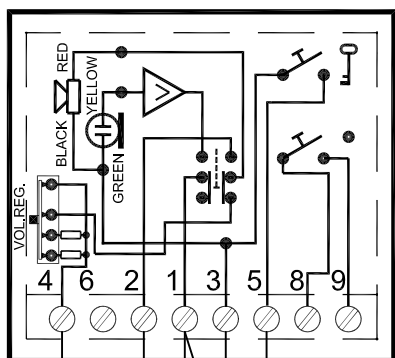


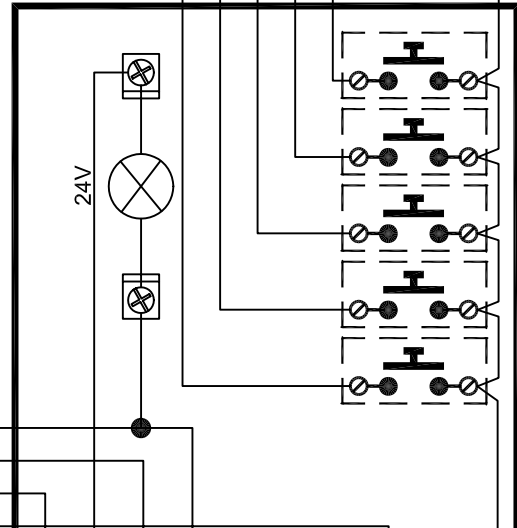
Art.3111



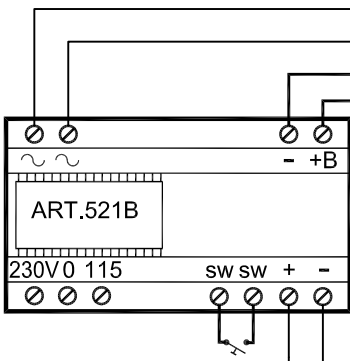
3 2 1

4_n..... 4₃ C

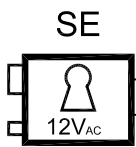
Art.845..



1

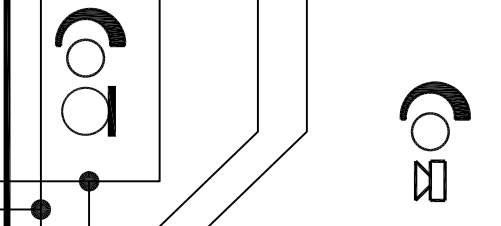


+12V- (Optional)



2 + 1 - S₁ S P₂ P₁ C₁ C

Art.837M-1..



1 2 3 4 5 6 7 8 9 10
 ~ 13V
 VX800- 2 2L
 VX900- 2 2L