

The ideal retro-fit solution

Retro3 & Retro4

Application:

- Use the same fixing dimensions and footprint as the most popular UK door closer designs
- Blends with any application where other traditional door closers have been used or are currently fixed to adjacent doors
- Fixed size EN3 or fixed size EN4
- Retro3 provides EN1154 size 3 when fitted as App. 1 or App. 66



	Retro3	Retro4	
	Apps. 1, 66 & 61	Apps. 1 & 61	App. 66
Size (EN 1154)	3	4	3
Max. door width	950mm	1100mm	950mm
Max. door mass	60kg	80kg	60kg
Max opening angle	180°	180°	180°

Features:

- Square steel cover
- Independent, fully adjustable door speed and latch controls
- Non-handed
- Concealed adjustment controls
- Adjustable platform arm
- Easy-to-use template and pictorial fitting instructions

Specification:

Reference JRETRO3
JRETRO4

Ordering Code Example:

J - RETRO3-SIL
(Boxed - Product Code - Finish)

Finishes:

- SE - Silver Enamel

Standards:

Certificate number: 1162-CPD-0223
(CE mark not valid if door width/mass exceeds values shown)

3rd party tested to BS EN 1154

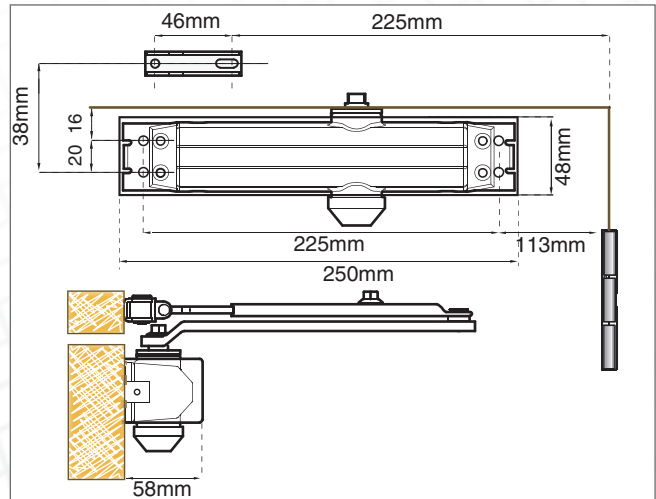
RETRO3

4	8	3	1*	1	3
---	---	---	----	---	---

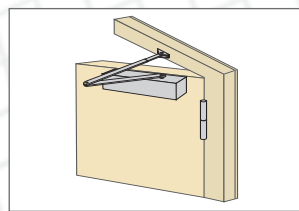
RETRO4

4	8	4	1*	1	3
---	---	---	----	---	---

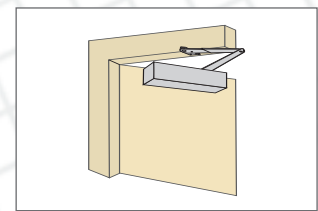
*Included in fire tests to BS EN 1634-1 with assessment for use on timber fire doors with intumescent protection up to FD120



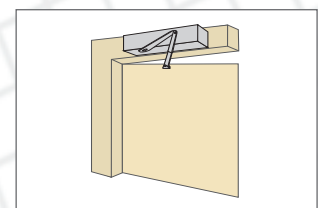
Applications:



App. 1
Closer fixed to 'pull' side of door



App. 66
Closer fixed to 'push' side of door



App. 61
Closer transom mounted on 'push' side of door

