

# ANSI ELECTRIC STRIKE

## Standard features include

Stainless Steel Striker

1,350kg (3,000lb) - factory tested

Compact Cast Aluminium Body

30mm overall depth

Low Current Consumption

243mA - 12v DC continuous ( $\pm 15\%$ )

187mA - 24v DC continuous ( $\pm 15\%$ )

Patented Locking System

Shear line technology - incorporating 3 case hardened locking pins

Easy Installation

Stick on/Peel off template

Options

Face plates in aluminium or stainless steel - ANSI short, ANSI long and Sashlock

Extension lips - 25mm and 50mm

Rebate plates - Standard 13mm and Chubb 3R35

Lipless

Weather resistant - IP56 protection

Spares

Replacement pin and spring kit

Approvals

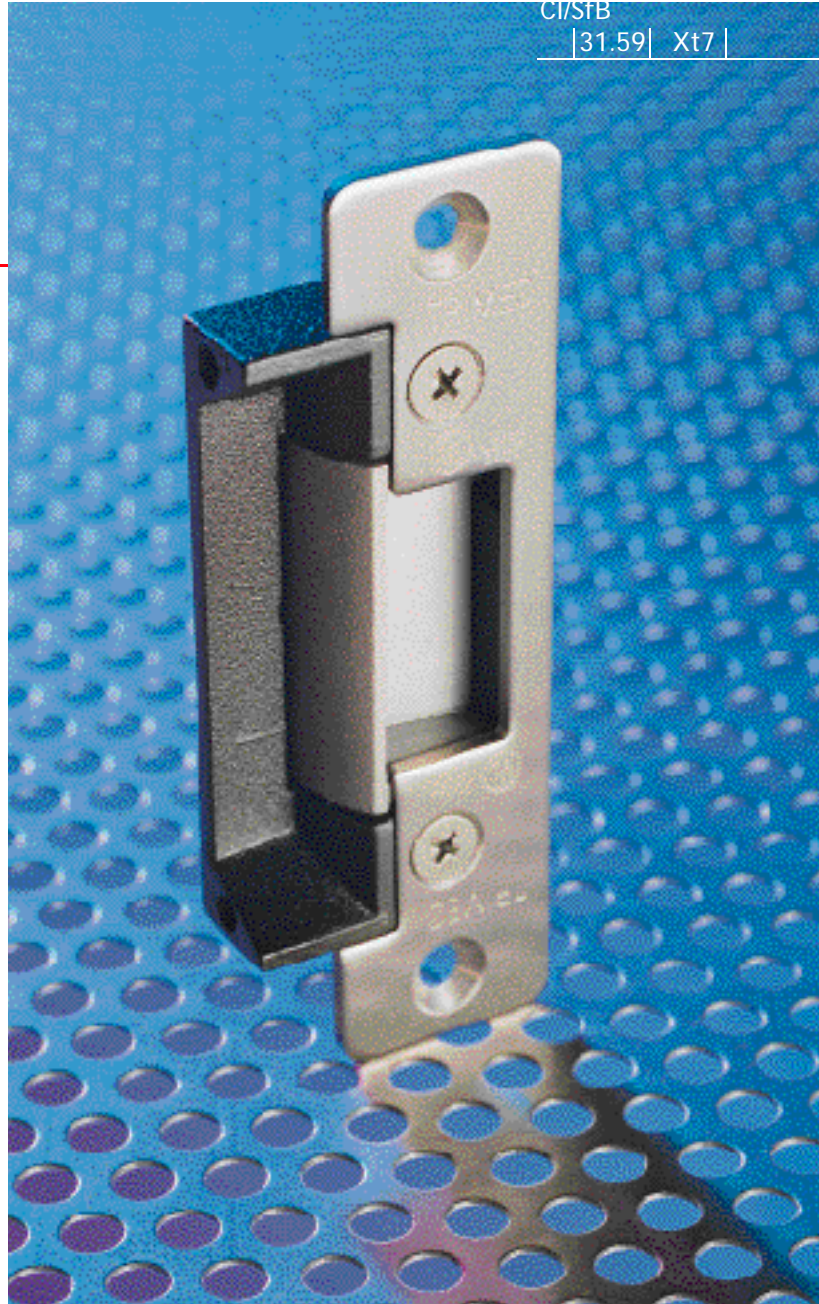
UL1034 (highest level)

Tested to 1 million cycles

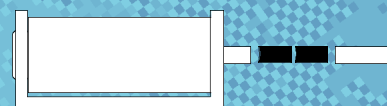
CE approved

BS EN 50081-1 and BS EN 50082-1

3 Year Guarantee



The TRIMEC ES100 series is an ANSI-style Security Strike complete with short or long face plate for use in metal or timber applications.



Power to Open/Fail Secure



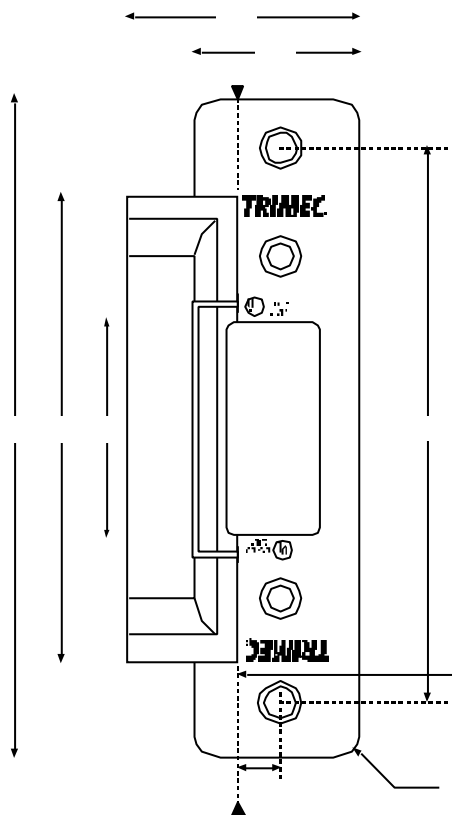
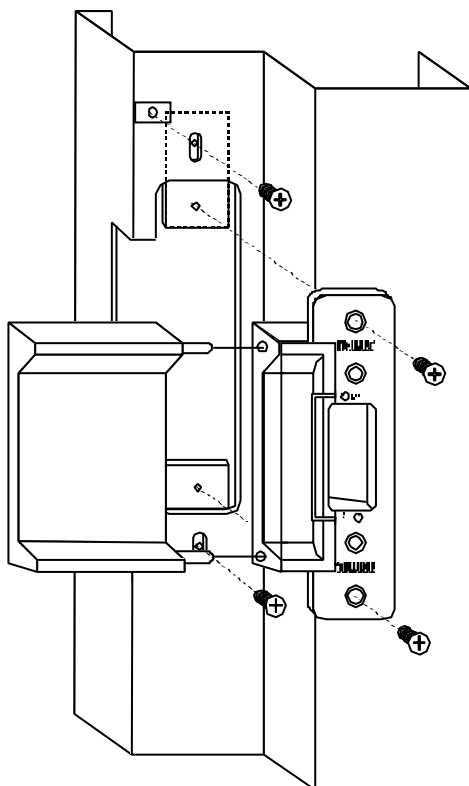
Power to Lock/Fail Open

**UNIQUE TO  
TRIMEC**  
AND SO SIMPLE TO DO!

Changing the sequence of the pins changes the function of the strike

## Illustrated ES100 ANSI short metal door preparation

- ANSI short faceplate  
124 x 32
- ANSI long faceplate  
202 x 36.5
- 25mm & 50mm Extension Lips are available as extras
- Mounting kit supplied
- Note For detail of installation see instructions/ template



Rebate plate dimensions 200L x 32W x 16D

## Lock Compatibility

Accepts 15mm latch bolt when fitted with 3mm door gap

Adams-Rite - 4710, 4720, 4750	Legge - 8767, E900
ASSA - 3059, 3061, 3062, 8516, 8517, 8518, 8519, 8760, 8761, 8762, 8764	Union - 2332, 2341, 2370, 2379
Chubb - 3R35	Viro - 8516, 8517, 8518, 8519
	Yale - 3600, 3610, 4103, 6025, 6070

## Ordering Information

DESCRIPTION	FUNCTION	CODE	FUNCTION	CODE
<b>ANSI Short*</b>				
12v DC	Fail Open - Power to Lock	<b>TS101A</b>	Fail Secure - Power to Open	<b>TS102A</b>
24v DC	Fail Open - Power to Lock	<b>TS103A</b>	Fail Secure - Power to Open	<b>TS104A</b>
<b>ANSI Long*</b>				
12v DC	Fail Open - Power to Lock	<b>TS101B</b>	Fail Secure - Power to Open	<b>TS102B</b>
24v DC	Fail Open - Power to Lock	<b>TS103B</b>	Fail Secure - Power to Open	<b>TS104B</b>
<b>Extension Lip</b>	25mm	<b>EX125</b>	50mm	<b>EX150</b>
<b>Rebate Plate</b>	Standard 13mm silver anodised	<b>TSS1013</b>	Chubb 3R35 - left hand	<b>TSS1013L</b>
			Chubb 3R35 - right hand	<b>TSS1013R</b>
<b>Sashlock Face Plate</b>	UK - non-handed	<b>TSS100SLUK</b>	Euro - non-hand	<b>TSS100SLEU</b>
<b>Pin and Spring Kit</b>	Replacement	<b>ES1P</b>		

\*Standard face plate is anodised aluminium. Stainless steel face plate is available by adding 'S' to code eg TS101AS. Lipless version - add '0' to code eg TS101A-0. Weather resistant version - add 'WR' to code eg TS101AWR. All ES100 Strikes are pre-drilled to take Extension Lips.

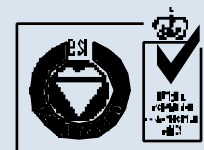


Telephone 01202 676262 Facsimile 01202 680101

E-mail [iec.uk@pobox.com](mailto:iec.uk@pobox.com) Web site [www.iecltd.co.uk](http://www.iecltd.co.uk)

INTERNATIONAL ENGINEERING COMPANY LIMITED

Harwell Road Nuffield Estate Poole Dorset BH17 0BD Great Britain



Certificate No. RS 00117