

To other telephones

**1D\_nH1Ei 5343**  
 Single entrance audio door entry system with n phones & intercom between telephones using AK5343 electronic switch.

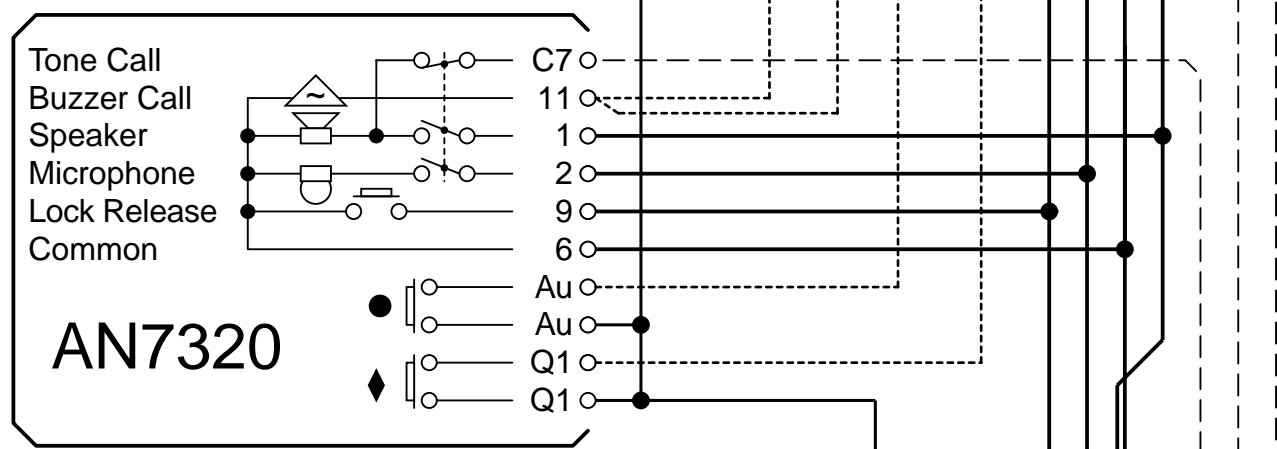
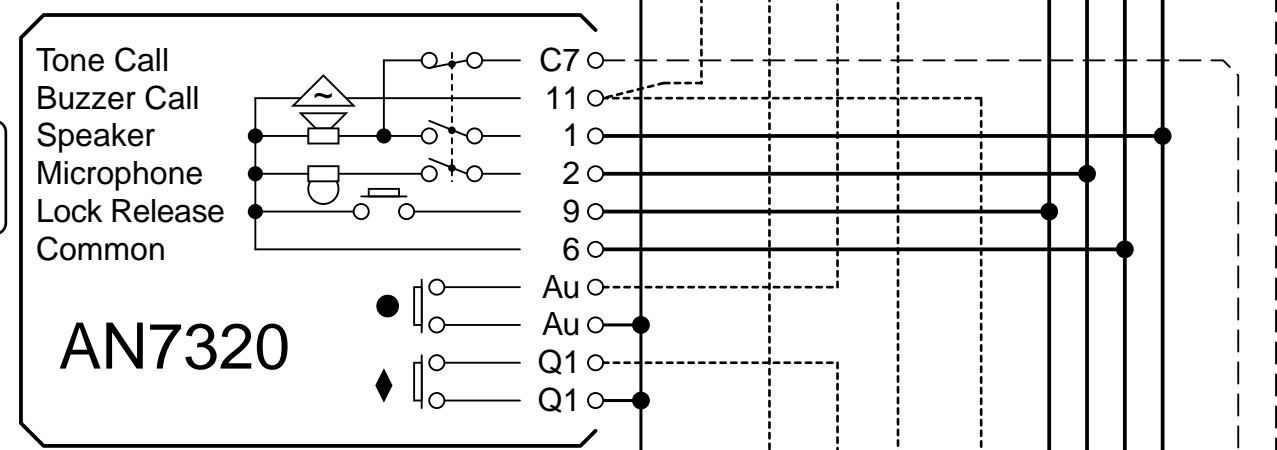
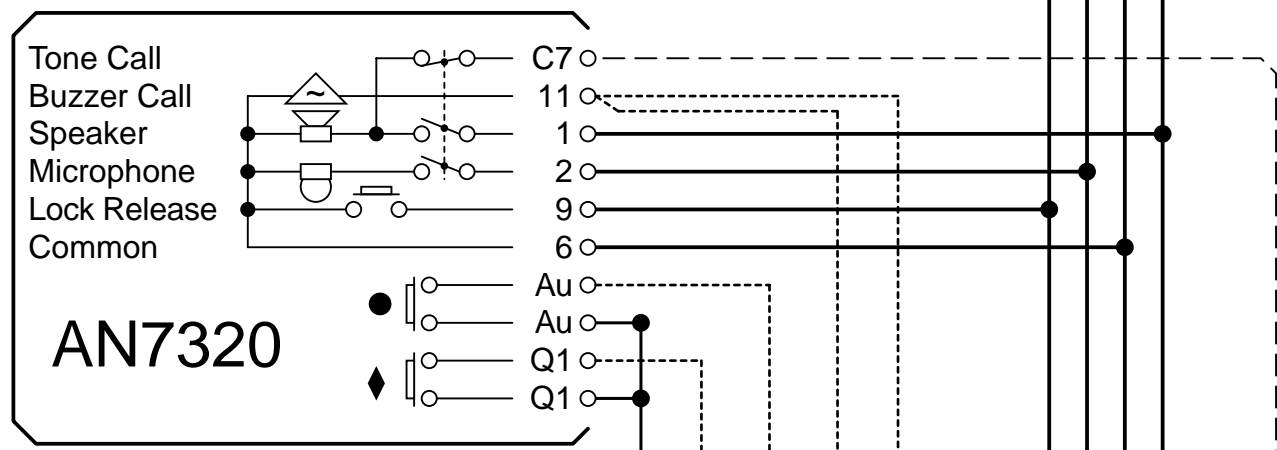
**Cable requirements :**  
 The use of twisted paired telephone cable is recommended. Ideally connect 1 & 6 as a pair and 2 & 6 as a pair. This helps protect the speech wire from interference. Connect ALL spare wires to negative.

Make connections as per diagram in order to avoid interference.

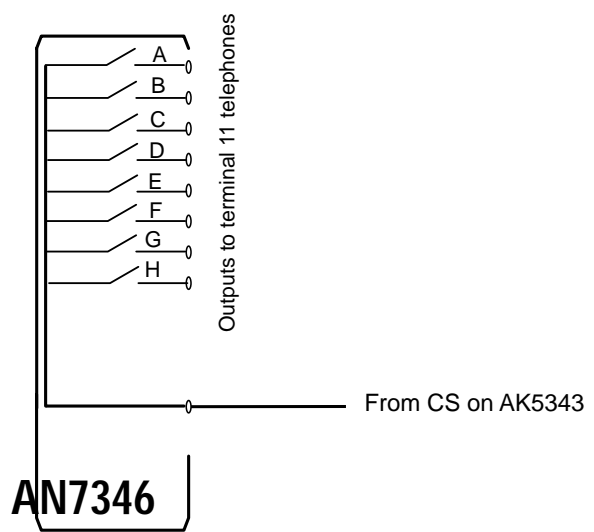
**Please Note:** When intercom between more than 3 telephones is required then telephone extension buttons must be used (type AN7346). In this case the buttons on the telephones (Au & Q1) will not be used.

Wire	Distance (m)
RefFunction	50 100 200 300
1 Loudspeaker	0.3 0.5 0.8 1.6
2 Microphone	0.3 0.5 0.8 1.6
6 Common -ve	0.5 0.8 1.0 1.6
9 Lock release	0.5 0.8 1.0 1.6

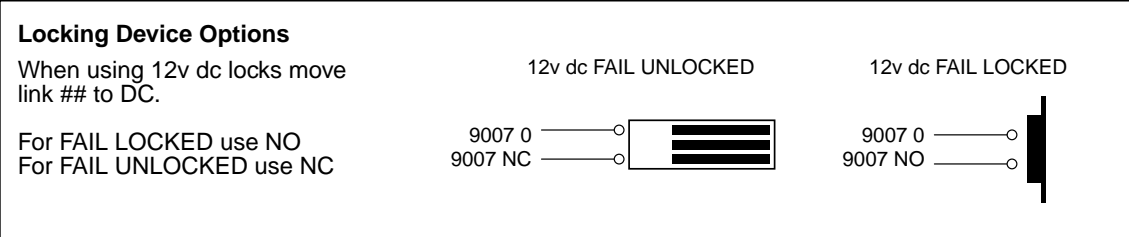
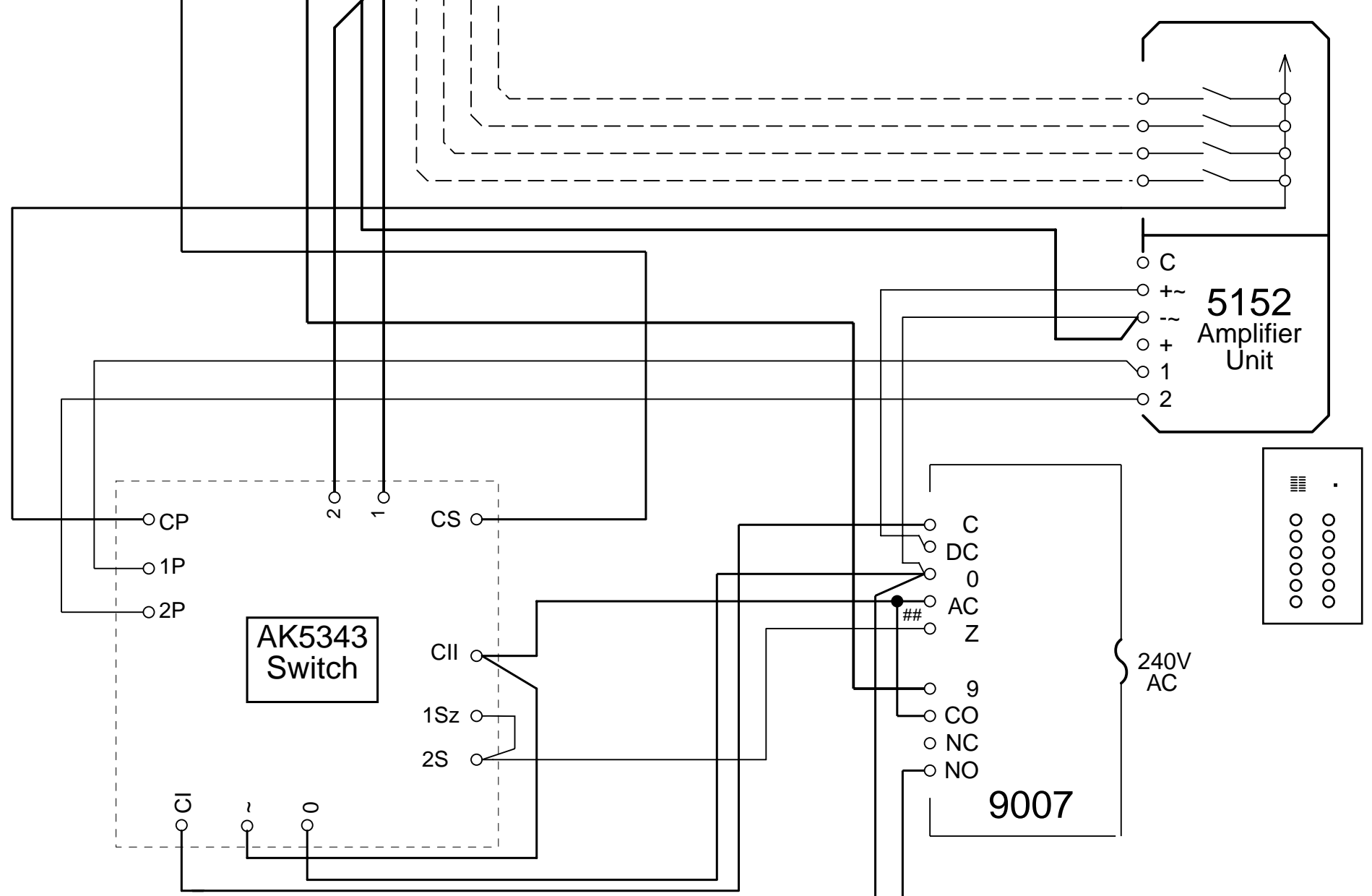
Cross sectional area of conductors mm<sup>2</sup>



Note: Do **not** cut any PCB links in phones.



Alternative intercom call wiring when using AN7346 extension buttons.



12v ac  
 FAIL  
 LOCKED