




### Features

- Ideal for closet and small cabinet like machine equipment housings and gun safes, etc.
- For double leaf doors
- Fail-Safe )Power to Lock.(
- Five years warranty.
- Adjustable mounting plate for easy installation.
- Dual voltage 12 or 24 VDC (selectable).
- Anti-Residual magnetism designed.
- Magnet can be selected direct or reversible direction installation.

### Operating Features

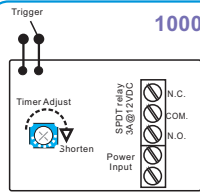
**10005:** Bond sensor output & Status LED



Bond sensor is used to indicate the door status as in a locked or unlocked condition. Status LED is a visual feedback for user to give the true status of the lock at any time. Green light indicates the door is insecure

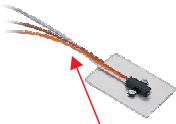
Bond sensor monitor output : SPDT rated: 3A@12VDC

**10005TD:** Re-locking time delay



Relocking Time Delay Switch ensures the automatically turns to lock mode after the door is closed properly and it can be adjusted from 0 to 90 seconds.

**10005DS:** Door status and bond sensor output & Status LED



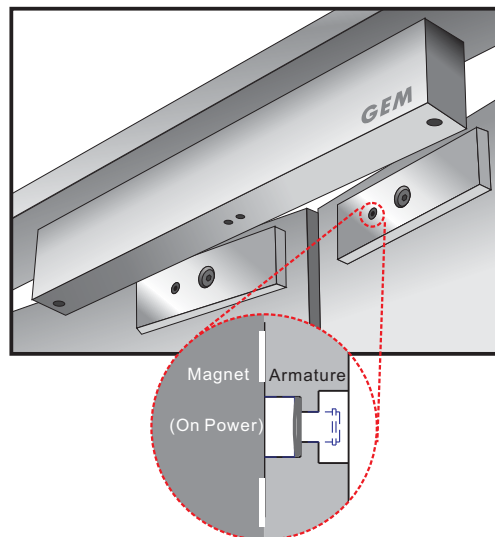
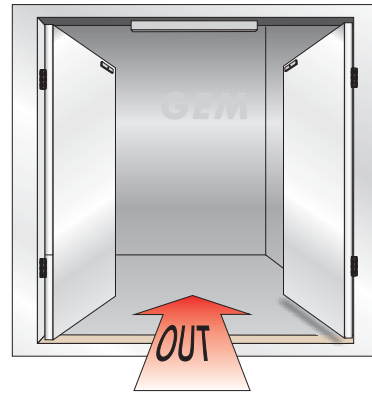
Door Status Sensor indicates the door is in an opened or closed status. Magnetic Bond Sensor indicates the door is in a locked or unlocked status.

Door status output : SPDT rated: 0.25A@12VDC

### Specifications

- Voltage Tolerance: 15%
- Current Draw: 500mA X2 @12Vdc ; 250mA X2 @24Vdc )at temperature 20C(
- Magnetic bond sensor monitor output (for 10005 model) (SPDT rated 3A@12V DC), indicates the door is in a locked or unlock status. (N.C. Output--Door opened; N.O. Output--Door closed).
- Operating Temperature: -10~55C )14~131F(
- Humidity: 0~95% non-condensing.
- Lock's surface Temperature (when the power is on): can not exceed ambient temperature by 20 C.
- Holding Force: Up to 600 lbs )272 Kg( X 2
- Dimensions:
  - Magnet:(L) 500, (W) 42, (D) 26 mm
  - Armature Plate:(L) 185, (W) 38, (D) 12 mm
  - Mounting Plate:(L) 500, (W) 25, (D) 5 mm
- Special Finishes for magnet and armature plate: Zinc
- Epoxy Potting Compound: E87252 (S), UL94V-0
- Weight )Approx.(: 4.0 Kg

### Regular Installation



Unique Anti-Residual design

When the power is switched off, the holding force will be discontinuity and the bolt was installed in armature will pop

### GIANNI INDUSTRIES, INC.

No. 13, Zhong Sing Road, Tu-Cheng Industrial Zone,  
Tu-Cheng City, Taipei, Taiwan 23678  
Tel: 886-2 2267 7986 / Fax: 886-2 2267 9876  
E-Mail: info@gianni.com.tw  
Website: gianni.tw  
Copyright 2008 Gianni industries, inc. All rights reserved.  
DM-CA-10004 Ver. F Published on 2009.04.28



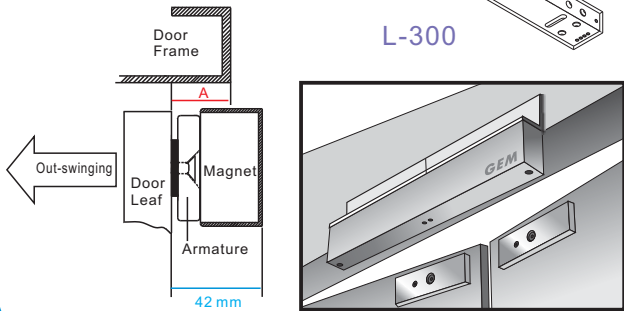
The products are manufactured under an ISO 9001 & QC 080000 Certified Quality Management Program environment back its product quality, performance and commitment to customer satisfaction.

### Optional Brackets

The door swinging direction and the door frame header are used to determine whether the bracket is required and this identify is a measure of which brackets is suitable. Our optional brackets include L-bracket, LZ-bracket and U-bracket.

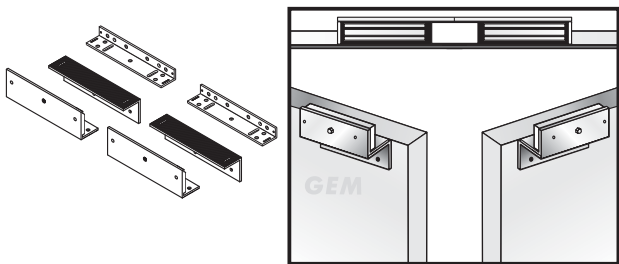
#### With L-bracket for narrow door frames

When "A" < 42 mm, must installed with "L" brackets.



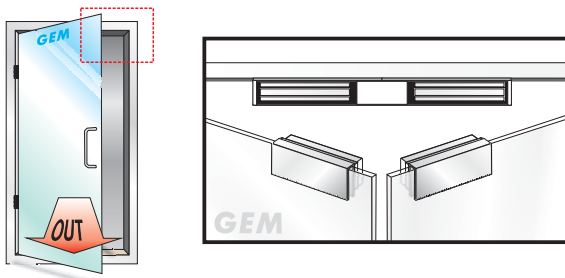
#### With LZ-bracket for in-swinging doors

LZ-300N

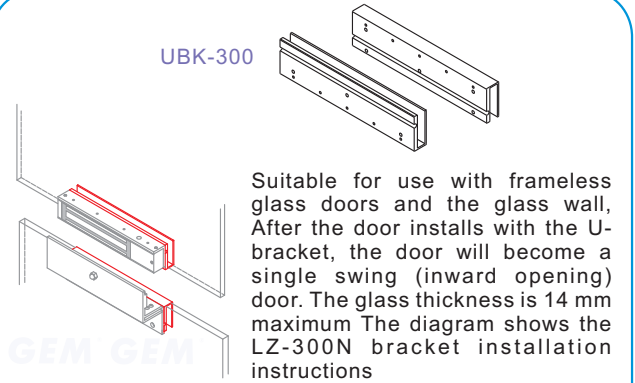


#### With U-bracket for frameless glass doors

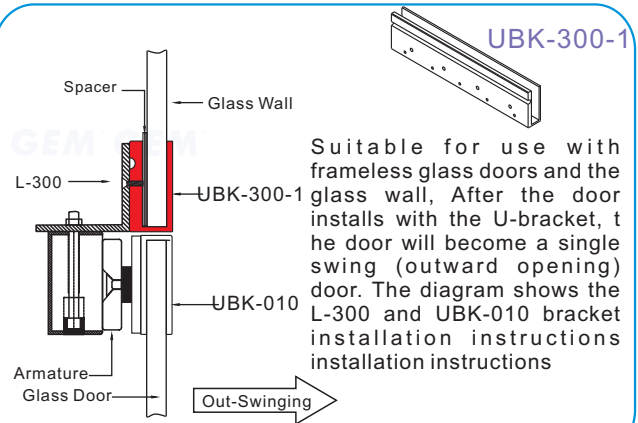
UBK-010 For 10mm thickness of glass door  
UBK-012 For 12mm thickness of glass door



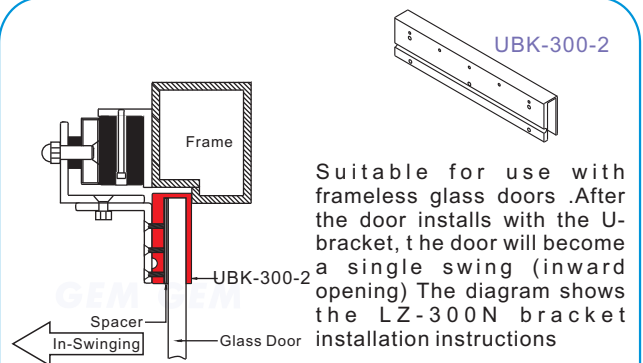
UBK-300



UBK-300-1



UBK-300-2



### Warranty

The product is warranted against defects in material and workmanship while used in normal service for a period of 5 year from the date of sale to the original customer. The GEM policy is one of continual development and improvement; therefore GEM reserves the right to change specifications without notice.

GIANNI INDUSTRIES, INC.

No. 13, Zhong Sing Road, Tu-Cheng Industrial Zone,  
Tu-Cheng City, Taipei, Taiwan 23678  
Tel: 886-2 2267 7986 / Fax: 886-2 2267 9876  
E-Mail: info@gianni.com.tw  
Website: gianni.tw  
Copyright 2008 Gianni industries, inc. All rights reserved.  
DM-CA-10004 Ver. F Published on 2009.04.28



The products are manufactured under an ISO 9001 & QC 080000 Certified Quality Management Program environment back its product quality, performance and commitment to customer satisfaction.