

EDVAX

 **VIMAR** group



LETTERBOX SERIES

Solutions for letterboxes and letterbox panel systems



2590 SERIES

Stainless steel letterbox
with audio and colour video system



Audio entrance panel with letterbox 259A/P Sound System

Used with power supply unit types 831, 836, 931, 931A, 931/OCT, 938A, 837/OCT, 837A, 833 and 6680.
External trim dimensions: 308x430x40 mm,
box dimensions: 285x411x120 mm (Width Height Depth).

Video entrance panel with letterbox 259F/P Two-Wire

Entrance panel made of stainless steel with built-in colour video camera and audio speech unit, Two-Wire technology. Supplied with new colour video camera, 480 TV lines, with 3 mm F 2.8 lens and manual tilt facility.
Used with power supply unit type 6922.
External trim dimensions: 308x430x40 mm,
box dimensions: 285x411x120 mm (Width Height Depth).

259C/P Sound System

Entrance panel made of stainless steel with built-in colour video camera and audio speech unit, Sound System technology. Supplied with new colour video camera, 480 TV lines, with 3 mm F 2.8 lens and manual tilt facility.
Used with power supply unit 6680.
External trim dimensions: 308x430x40 mm,
box dimensions: 285x411x120 mm (Width Height Depth).

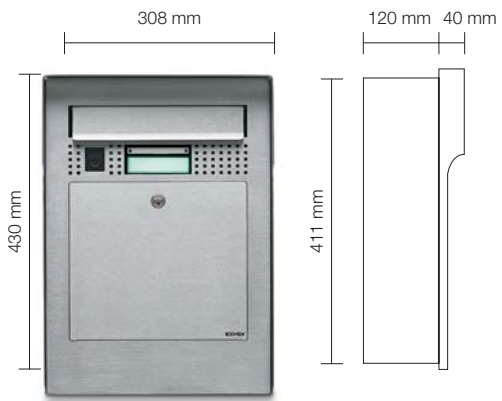
Stainless steel quality

Made entirely of AISI 316 stainless steel, which is resistant to atmospheric corrosion and is also used in marine environments, 2590 letterbox panels comprise two sections, a box and front panel, for flush or surface wall-mounted installation, with front and rear opening. The letterbox shelter has a restyled design and opens outward.

The rainproof trim, also in stainless steel, is built into the structure. One characteristic feature of the 2590 series is the single central call button.

New rainproof trim.

**Colour camera
480 TV lines, F 2.8**



EDVAX

 VIMAR group



LETTERBOX SERIES

Modular letterbox system

versatility rules

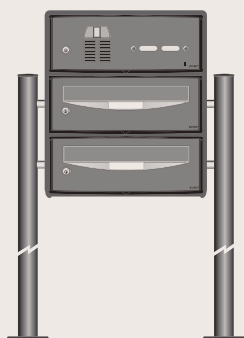
The ELVOX letterbox system is comprised of a range of modular elements made from extruded paint-finished aluminium, which can be used to assemble letterbox structures. The available options are: flush-mounting with front and rear opening, surface wall-mounting with front opening and surface-mounting on a self-standing secure floor support.

Owing to their modular design, letterbox units can be stacked both vertically and horizontally.

Available for Sound System, Two-Wire and Digibus systems, panels with audio/video faceplate and call buttons for interfacing with audio and video door entry systems. The panels must be used in conjunction with: speech units, video cameras with speech unit or electronic units corresponding to the type of installation (Sound System, Two-Wire or Digibus).



Surface-mounting box version

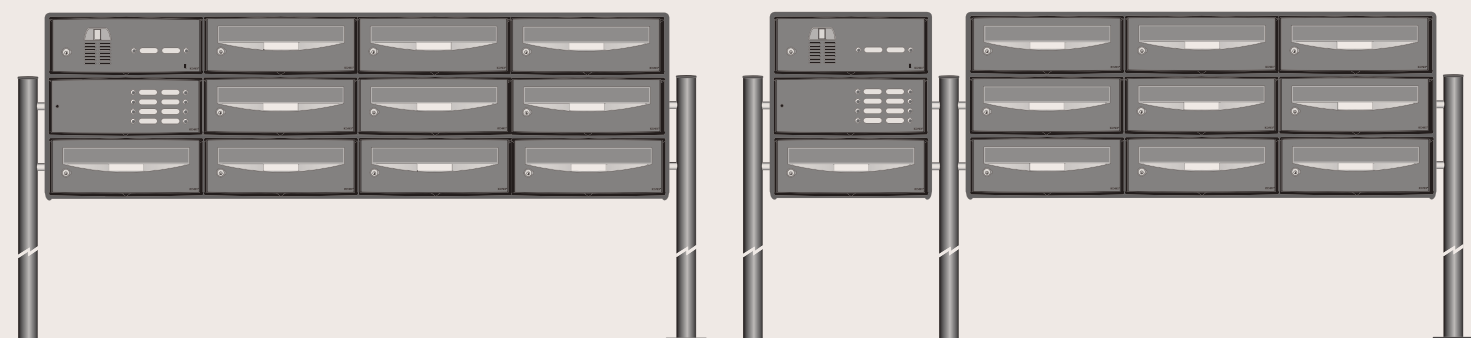
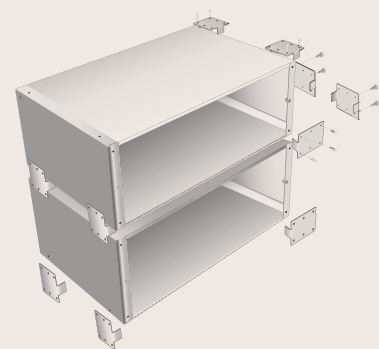
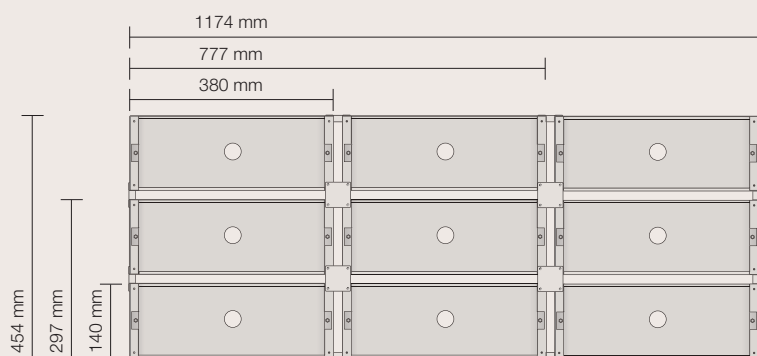




Possible combinations of the letterbox system



Flush-mounting version



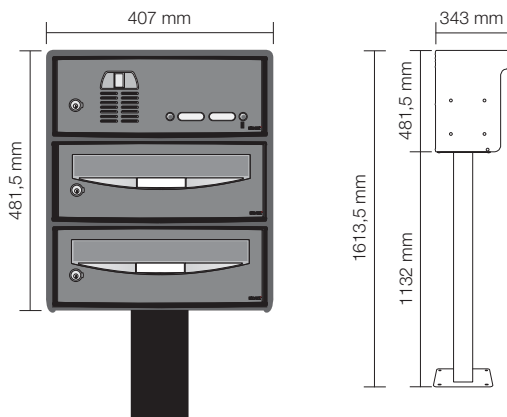
LETTERBOX SERIES

Modular letterbox system



The surface-mounting boxes can be combined with base plate supports type 256P or a pair of side stands type 256G.

The base plate support can be used with box type 25A3, for 3 vertical panels in 1 row, while the stands type 256G can be used for boxes with 3, 6, 9 and 12 panels. Using three 256G stands, one in the middle and one at either end, it is also possible to combine two surface-mounting boxes.



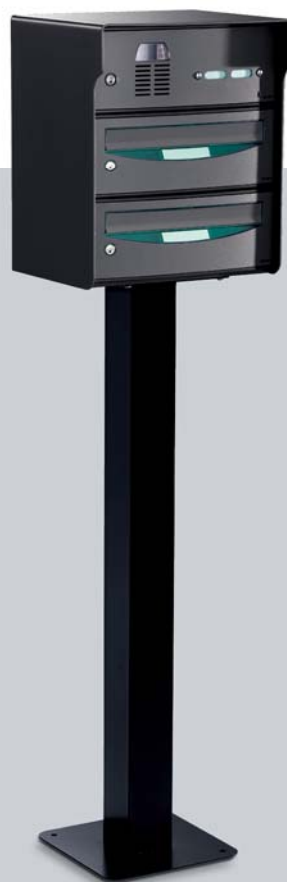
maximum distinction and style

**Surface wall-mounting box version
with rainproof trim
for 3 front panels
(1 row of 3 vertical panels).**

Sable grey paint finish.

Dimensions: 407x481.5x343 mm (Width x Height x Depth).

The box is combined with a base plate type 256P, overall dimensions of assembly: 407x1613.5x343 mm (Width x Height x Depth).



Supports for letterbox system

Fixable floor-standing supports for surface wall-mounting boxes.



Art. 256P

Type 256P Floor-standing support with base plate for box with rainproof cover type 25A3. Dimensions (WxHxD): 300x1132x300 mm.

Box with rainproof cover

Box for installing letterbox system in the surface wall-mounting version or the floor-standing version in combination with types 256G or 256P. Made from aluminium (thickness 4 mm).



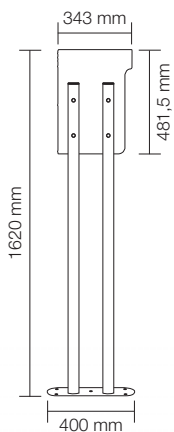
Art. 25A3

Surface wall-mounting box with rainproof cover for 3 front panels (1 row of 3 vertical panels). For combination with supports type 256P or a pair of stands type 256G. Sable grey paint finish. Dimensions (WxHxD) 407x481.5x343 mm.

LETTERBOX SERIES

Modular letterbox system





maximum quality in communications

**Surface wall-mounting box version
 with rainproof trim
 for 6 front panels
 (2 rows of 3 vertical panels)**

Sable grey paint finish.

Dimensions: 806x481.5x343 (Width x Height x Depth).

The box is combined with a pair of supports type 256G,
 overall dimensions of assembly: 1016x1620x343 mm
 (Width x Height x Depth).



Supports for letterbox system

Fixable floor-standing supports for surface wall-mounting boxes.



Art. 256G

Floor-standing support for surface-mounting box. Use two supports for each box with rainproof cover. For boxes installed side-by-side use one support between the boxes and one support at each end.
 Dimensions (WxHxD) 120x1460x400 mm.

Box with rainproof cover

Box for installing letterbox system in the surface wall-mounting version or the floor-standing version in combination with types 256G or 256P. Made from aluminium (thickness 4 mm).



Art. 25B3

Surface wall-mounting box with rainproof trim for 6 front panels (2 rows of 3 vertical panels). To be used with a pair of supports type 256G. Sable grey paint finish.
 Dimensions (WxHxD): 805x485x343 mm.

Art. 25C3

Surface wall-mounting box with rainproof trim for 9 front panels (3 rows of 3 vertical panels). To be used with a pair of supports type 256G. Sable grey paint finish.
 Dimensions (WxHxD) 1205x481.5x343 mm.

Art. 25D3

Surface wall-mounting box with rainproof trim for 12 front panels (4 rows of 3 vertical panels). To be used with a pair of supports type 256G Sable grey paint finish.
 Dimensions (WxHxD): 1605x481.5x343 mm.

LETTERBOX SERIES

Modular letterbox system





highly modular solutions

Flush-mount version.

Installation of the letterbox system in the flush-mounting version requires the panels to be combined with box type 256S, available separately. It is possible to combine multiple boxes type 256S, either stacked vertically or installed side-by-side, using the brackets supplied with the boxes.

Box type 256S can be fitted with front panel only, or a pair of panels for front and rear opening.



Flush-mounted box

Dimensions (WxHxD): 380x140x200 mm.

Art. 256S

Box made of galvanised sheet steel, thickness 0.8 mm, allows the letterbox system to be installed in the flush-mounting version. The box is supplied separately from the panels and is designed for front/rear opening.

Supplied with brackets for fastening boxes together in modular format.
Dimensions: 380x140x200mm (Width x Height x Depth)

LETTERBOX SERIES

Modular letterbox system

All panels are made with: trim in shockproof anti-UV copolymer, front door in extruded aluminium (thickness 4 mm), protection against removal of contents, front opening with 2 reproducible keys, lock block in brass and chrome inserts. The name card holders are made of water-repellent material.

Letterbox panels

Panel dimensions (WxHxD): 395x153.5x35 mm.
Dimensions of letter slot (WxH): 334x28 mm.



Type 2561/35

Single panel with trim for front opening. Sable grey painted finish, available in RAL 7035 light grey (type 2561) and brushed aluminium type 2561/39).



Type 2560/35

Single blank panel with trim, key opening but without letter slot. Sable grey painted finish, also available in RAL 7035 light grey (type 2560) and brushed aluminium (type 2560/39).



Type 256D/35

Pair of panels with trim, front and rear opening using the same key. Sable grey painted finish, also available in RAL 7035 light grey (type 256D) and brushed aluminium (type 256D/39).

Additional panels with call push-buttons

Panel dimensions (WxHxD): 395x153.5x35 mm.



Type 2504/35

Additional front panel with 4 push-buttons. Sable grey painted finish, available in RAL 7035 light grey (type 2504) and brushed aluminium type 2504/39).



Type 2508/35

Additional front panel with 8 push-buttons. Sable grey painted finish, available in RAL 7035 light grey (type 2508) and brushed aluminium type 2508/39).



Type 2512/35

Additional front panel with 12 push-buttons. Sable grey painted finish, available in RAL 7035 light grey (type 2512) and brushed aluminium type 2512/39).



Type 2516/35

Additional front panel with 16 push-buttons. Sable grey painted finish, available in RAL 7035 light grey (type 2516) and brushed aluminium type 2516/39).

The audio/video panels are designed for combination with speech units, video cameras and electronic units for Two-Wire and Sound System installations. In Two-Wire installations the audio/video panels must be installed with: electronic unit type 25F3/8, speech unit type 2930 or colour video camera with speech unit type 2559. The electronic unit can be connected to up to 8 call buttons, which can be

expanded with module 693P or 693P/M. Module 693P/M is supplied with wiring for connection from panel to panel. In Sound System installations it is possible to add audio speech units type 930A, 930D, 930F or video cameras with speech unit types 559 and 559C. The panels with call facilities are supplied as standard with push-buttons and LED card for lighting the name card holders.

Audio/video panels with call buttons

Panel dimensions (WxHxD): 395x153.5x35 mm.



Type 25V0/35

Audio/video front panel without push-buttons for speech unit or camera with speech unit. Sable grey painted finish, also available in RAL 7035 light grey (type 25V0) and brushed aluminium (type 25V0/39).



Type 25V2/35

Audio/video front panel with 2 push-buttons for speech unit or camera with speech unit. Sable grey painted finish, also available in RAL 7035 light grey (type 25V2) and brushed aluminium (type 25V2/39).



Type 25V4/35

Audio/video front panel with 4 push-buttons for speech unit or camera with speech unit. Sable grey painted finish, also available in RAL 7035 light grey (type 25V4) and brushed aluminium (type 25V4/39).



Type 25V6/35

Audio/video front panel with 6 push-buttons for speech unit or camera with speech unit. Sable grey painted finish, also available in RAL 7035 light grey (type 25V6) and brushed aluminium (type 25V6/39).



Type 25V8/35

Audio/video front panel with 8 push-buttons for speech unit or camera with speech unit. Sable grey painted finish, also available in RAL 7035 light grey (type 25V8) and brushed aluminium (type 25V8/39).



Type 2561

Anti-mist grill in aluminium for letterbox system. For installation in boxes type 256S, 25A3, 25B3, 25C3, 25D3. Dimensions (WxDxH): 355x182x10mm.



LETTERBOX SERIES

Modular letterbox system

Panel colours



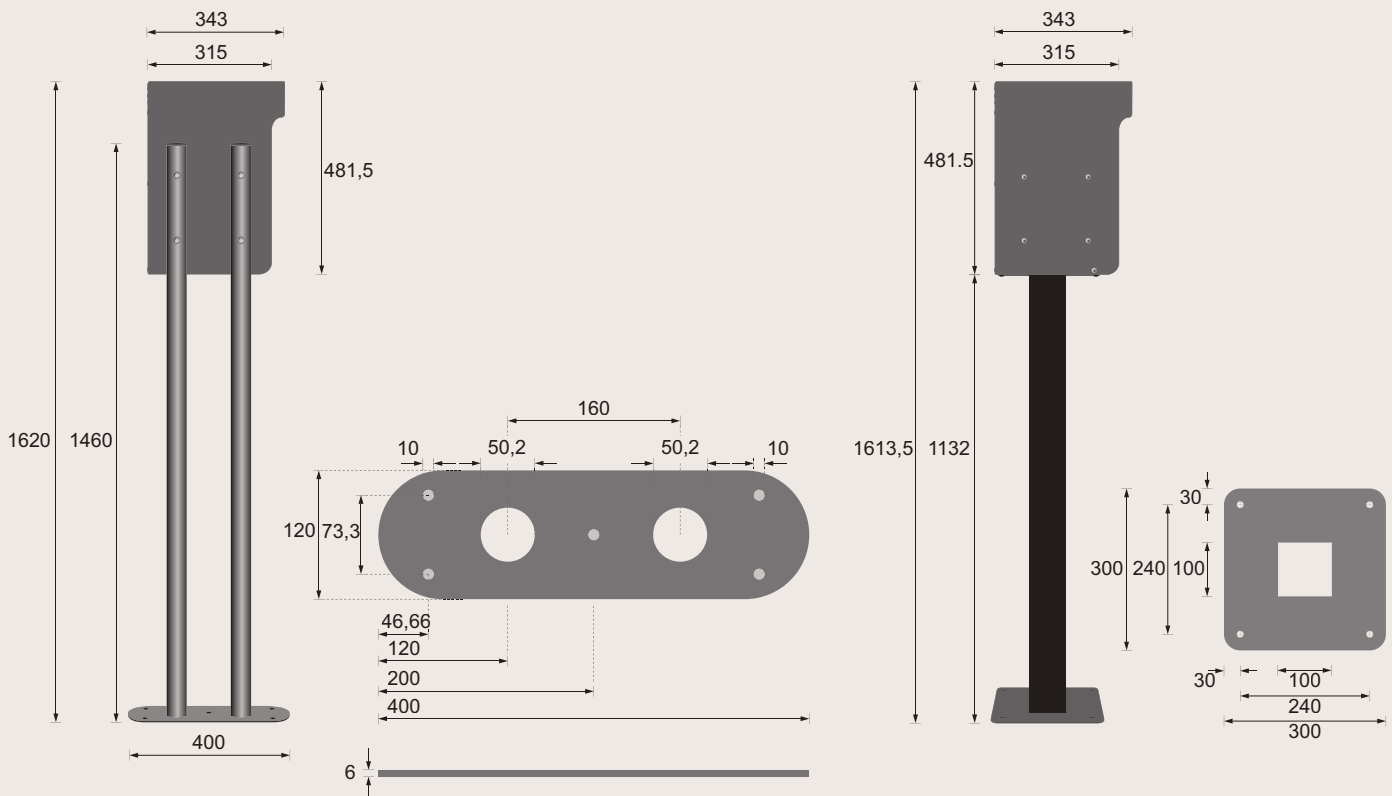
^
Sable grey painted finish (.../35)



^
Light grey painted finish (RAL 7035), standard colour

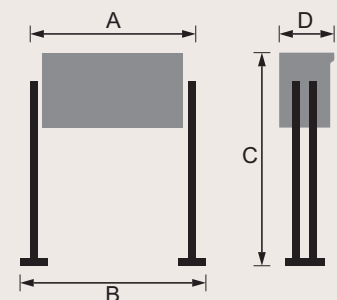


^
Brushed aluminium (../39)



Installation of the letterbox system with free-standing supports requires one of the following boxes: type 25A3, 25B3, 25C3, 25D3. Nevertheless multiple surface-mounting boxes can still be installed side-by-side as shown in the following example. There are two types of support for floor-standing installation: side stands type 256G and base plate type 256P. Type 256P is recommended for type 25A3 only.

Item	Total number of panels	Number of panels horizontal times vertical	Dimensions of surface-mounting box Width x Height x Depth (mm)	Dimensions with type 256G (mm)			
				A	B	C	D
25A3	3	1 x 3	407 x 481,5 x 343	547	617	1620	343
25B3	6	2 x 3	806 x 481,5 x 343	946	1016	1620	343
25C3	9	3 x 3	1204 x 481,5 x 343	1344	1414	1620	343
25D3	12	4 x 3	1597 x 481,5 x 343	1737	1807	1620	343

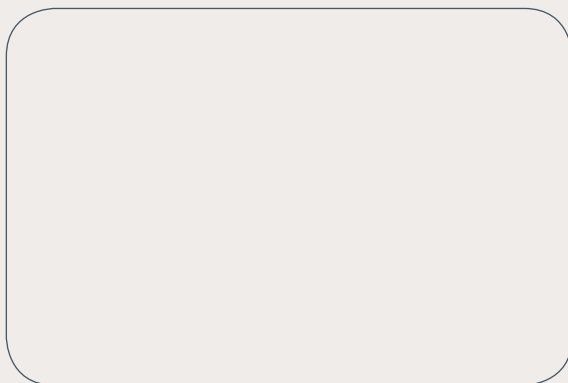


Item	Total weight of surface-mounting boxes, panels and supports type 256G (kg)	Total weight of surface-mounting boxes, panels and support type 256P (kg)
25A3	53	25
25B3	64	/
25C3	74	/
25D3	84	/

Note

The ELVOX surface wall-mounting letterbox system with self-standing fixable floor supports requires a floor base that can withstand its weight. We therefore recommend that it is installed on a base structure of appropriate dimensions for the size and weight of the letterbox system itself.

The table shown here is for indication purposes only and lists possible weights and dimensions.



ELVOX

 **VIMAR** group

Via Pontarola, 14/a
35011 Campodarsego PD - Italy
Tel. +39 049 920 2511
Fax +39 049 920 2601
www.elvox.com - elvoxexp@elvox.com